

**Confidential**

JAPAN ENGINE CORPORATION

SERVICE ENGINEERING DEPARTMENT, SERVICE ENGINEERING SECTION  
1, MINAMIFUTAMI, FUTAMI-CHO, AKASHI-CITY 674-0093, JAPAN

TEL. +81-78-949-0804 (direct), e-mail: [sales2@j-eng.co.jp](mailto:sales2@j-eng.co.jp) (parts & engineer order), [service@j-eng.co.jp](mailto:service@j-eng.co.jp) (technical inquiry)

(1/8)

Subject : Alternative product information for discontinuation of TY type main engine indicator valve (for former Kobe Diesel make engines)	Application	UEC Diesel Engine
	Type	See text
	No.	USI-14602E
<b>General</b>		

\* former Kobe Diesel make engines

Recently a service information USI-14601: "Notice of discontinuation of production of TY type main engine indicator valve" has been announced. For easier ordering, please use the attached code book to order an alternative indicator valve.

	Production stop	Alternative * *	Engine type
1	TY-16P / 16M type	BS-3D type	UET type / UEC A, C, D, E, H, H11 type
2	TY16-MA type	BS-3D type	UEC37LA type (part)
3	TY16-F type	U376511 type	UEC45LA type / UEC52LA type (part)

\* : For UEC37LA, 45LA, 52LA types, refer to pages 6 / 8-8 / 8 as attached.

\* \* : Alternative products are compatible with the discontinued products as a complete set.

Please be careful when ordering

The response level shown in the upper right is Japan Engine Corporation's guidance and does not determine the response of users.

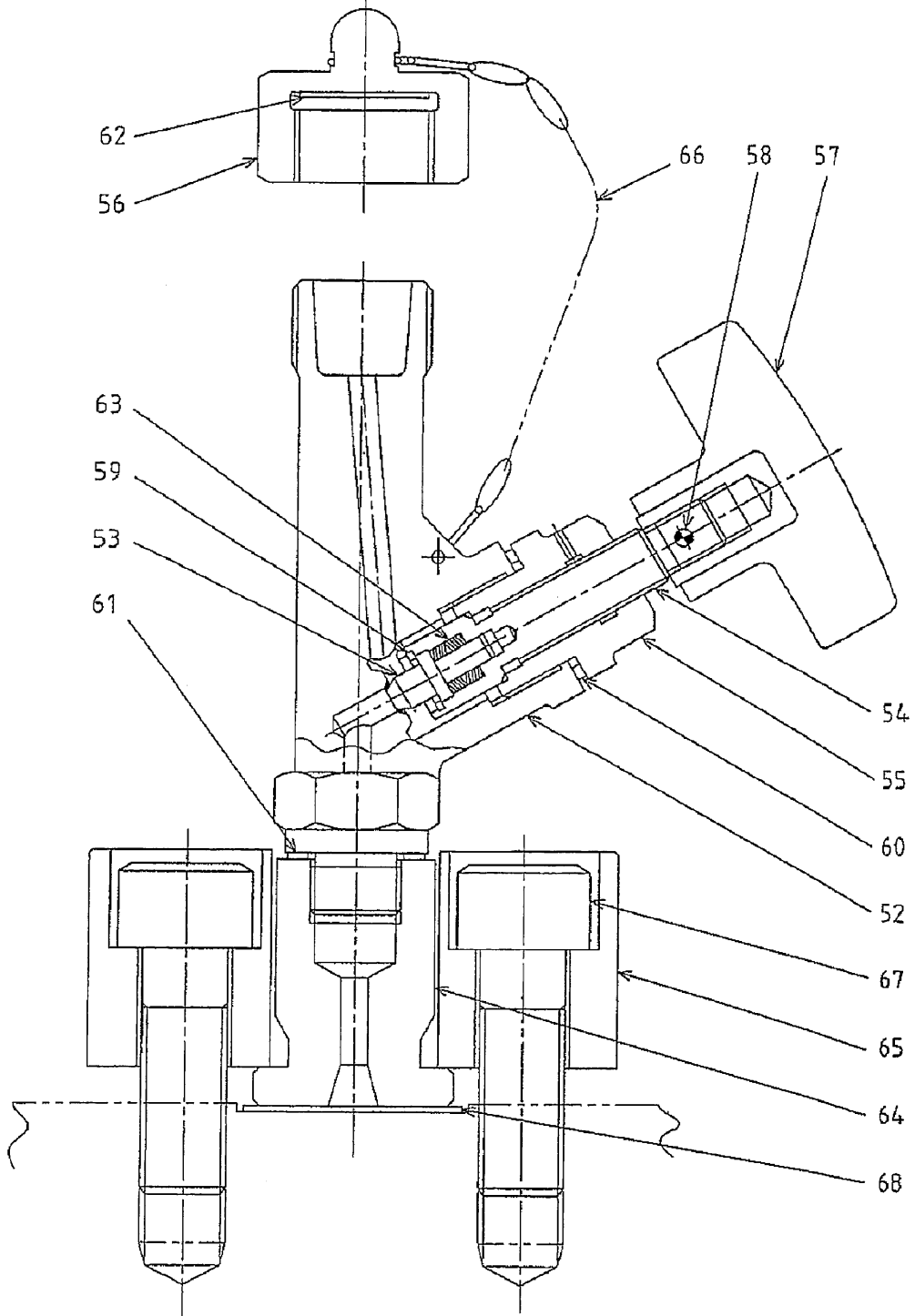
Further, it is not guaranteed the every action carried out according to this service information.

The service information issued by Japan Engine Corporation included not only copyright but also all rights is reverted on Japan Engine Corporation.

Plan record	Newly issued 17th Dec 2020	Approved	<i>K. Yoshida</i>	SERVICE ENGINEERING DEPARTMENT
	USI-14601	Checked	<i>N. Nakashima</i>	ENGINEERING DEPARTMENT
		Designed	<i>M. Higuchi</i>	DATE OF ISSUE :17th Dec. 2020

# 146 INDICATOR VALVE

14650

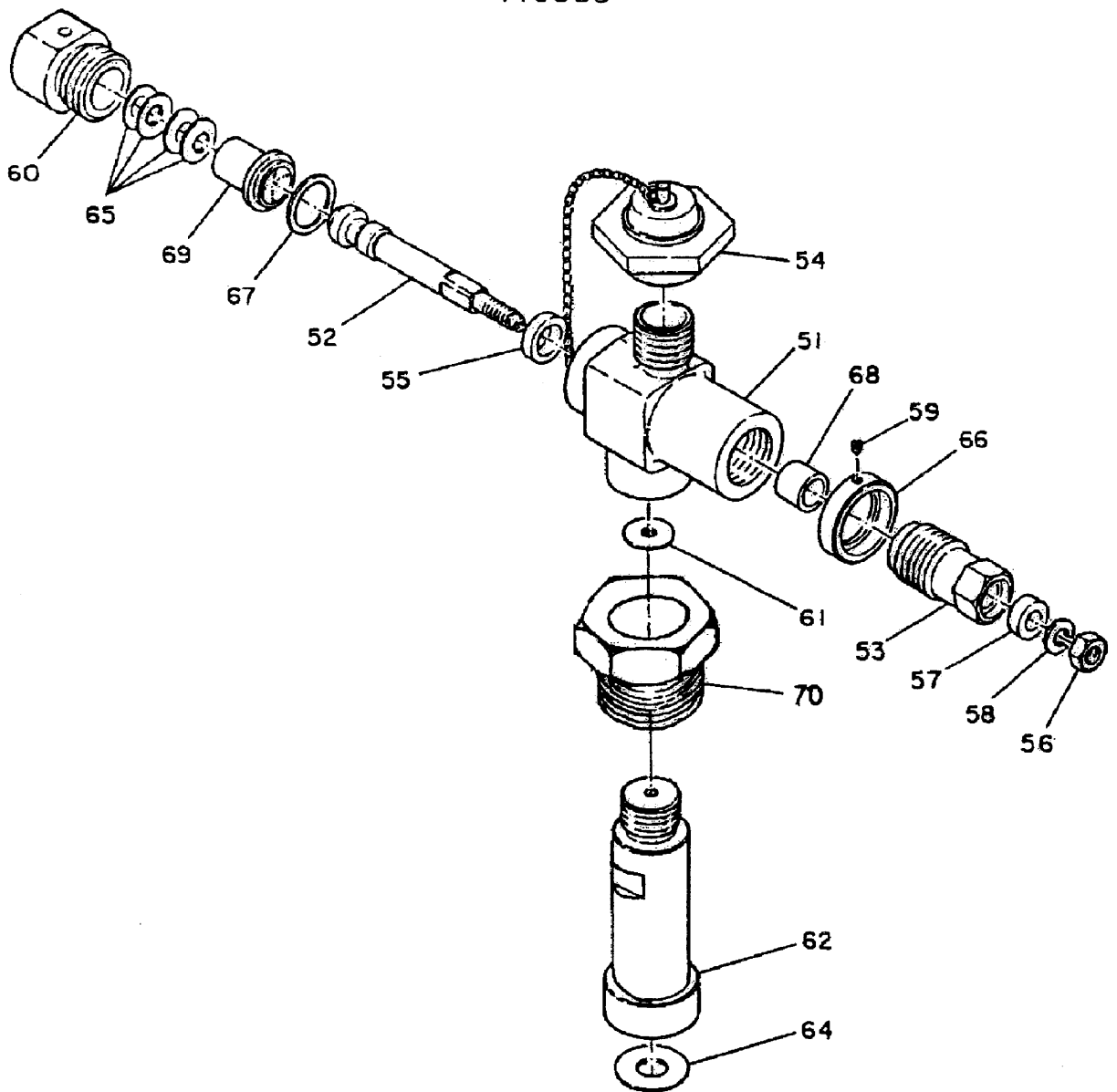


**U375611 type**

Key No.	Description	Code No.
14650	Indicator valve complete	146
52	Body	
53	Disc	
54	Stem	
55	Bonnet	
56	Cap	
57	Knob	
58	Spring pin	
59	Stop ring	
60	Cu packing	
61	Cu packing	
62	Cu packing	
63	Plate spring	
64	Adapter	
65	Flange	
66	Chain	
67	Hexagon socket head bolt	
68	Gasket	
<b>U376511 type</b>		

# 146 INDICATOR VALVE

146000



BS-3D type

Key No.	Description	Code No.
146000	Indicator valve complete	
146051	Valve body	
52	Spindle	
53	Spindle guide	
54	Cap with chain	
55	Valve seat	
56	Nut	
57	Washer	
58	Spring washer	
59	Set screw	
60	Plug	
61	Gasket	
62	Connecting piece	
64	Gasket	
65	Conical spring	
66	Indication disk	
67	Gasket	
68	Spindle guide	
69	Stopper	
70	Socket	
<b>BS-3D type</b>		

Engine type		Shipyard	Hull No.
6	UEC37L	Usuki	1548
		Imai	539
		Eiho	1852
7	UEC37L	Hayashikane	1288
		Hayashikane	1289
5	UEC37LA	Shin Kochi	2486
		Shinkurushima Onishi	2708
6	UEC37LA	Shinkurushima Onishi	2710
		Higaki	345
		Shin Kochi	1932
		Shin Kochi	1933
		Higaki	352
		Higaki	355
		Usuki	1593
		Higaki	387
		Shinkurushima Hiroshima	2705
		Higaki	395
		Higaki	398
		Shinkurushima Hiroshima	2730
		Higaki	408
		Shinkurushima Hiroshima	2758
		Higaki	411
		Usuki	1618
		Higaki	416
		Higaki	440
		Higaki	441
		Shimanami	286
		Higaki	450
		Shinkurushima Toyohashi	3381
		Higaki	458
		Higaki	462
		Shinkurushima Toyohashi	3382
		Higaki	463
		Higaki	455
		Shimanami	291
		Higaki	467
		Shinkurushima Hiroshima	2900
		Usuki	1640
		Shinkurushima Hiroshima	2903
		Usuki	1641
Shinkurushima Onishi	2933		
Higaki	483		
Higaki	522		
Higaki	548		
7	UEC37LA	Kitanihon	237
		Shin Kochi	7007
		Shinkurushima Hiroshima	2833
		Shinkurushima Hiroshima	2868
		Fukuoka	1188
		Fukuoka	1189
		Fukuoka	1192
Fukuoka	1201		

Engine type		Shipyard	Hull No.
7	UEC37LA	Higaki	496
		Higaki	503
8	UEC37LA	Shinkurushima Onishi	2505
		Shinkurushima Onishi	2505L
		Shinkurushima Onishi	2517
		Shinkurushima Onishi	2517L
		Kyokuyo	362
		Kyokuyo	363
		Kyokuyo	368
		Kyokuyo	365
		Kyokuyo	398
		Kyokuyo	427

Engine type		Shipyard	Hull No.
6	UEC45L	Yamanishi	905
		Fukuoka	1117
		Shimoda	344
		Towa	563
		Minaminippon	576
5		Shinkurushima Hiroshima	1825
		Imai	541
		Shinkurushima Hiroshima	1832
		Shinkurushima Hiroshima	1917
		Saiki	1002
		Shinkurushima Hiroshima	2637
		Shinkurushima Hiroshima	2638
		Shinkurushima Hiroshima	2825
		Shin Kochi	7115
		Shin Kochi	7116
		Shin Kochi	7117
		Shin Kochi	7150
		Shin Kochi	7162
		Kitanihon	207
		Shin Kochi	2465
6	UEC45LA	Shin Kochi	2466
		Kyokuyo	2491
		Hakodate	2476
		Shinkurushima Hiroshima	1915
		Shin Kochi	2513
		Kyokuyo	2492
		Shin Kochi	2515
		Hakodate	2547
		Shinkurushima Hiroshima	2548
		Shinkurushima Hiroshima	2581
		Shinkurushima Hiroshima	2596
		Shinkurushima Hiroshima	2582
		Shinkurushima Hiroshima	2583
		Shinkurushima Hiroshima	2597
		Kyokuyo	366
		Fukuoka	1163
		Higaki	406
		Saiki	1022
		Kyokuyo	377
		Kyokuyo	378
		Saiki	1027
		Kyokuyo	382
		Hakodate	755
		Shinkurushima Onishi	2846
		Shinkurushima Toyohashi	3400
Shinkurushima Onishi	2895		
Kurinoura	305		
Imabari	524		
Shinkurushima Onishi	2896		
Saiki	1065		
Saiki	1066		
Shinkurushima Hiroshima	2945		

Engine type		Shipyard	Hull No.
6		Saiki	1067
		Kurinoura	311
		Saiki	1071
		Saiki	1073
		Saiki	1075
		Shinkurushima Onishi	2970
		Shinkurushima Toyohashi	3445
		Saiki	1080
		Kurinoura	352
		Saiki	1081
		Kurinoura	356
		Kanda	399
		Kanda	401
		Kanda	402
		Higaki	518
		Shinkurushima Hiroshima	5125
		Hakodate	782
		Shinkurushima Hiroshima	5126
		Shinkurushima Onishi	2881
		Shinkurushima Onishi	2882
		Shinkurushima Onishi	2925
		Shinkurushima Onishi	2932
		Shinkurushima Toyohashi	3420
		Shinkurushima Toyohashi	3423
		Shinkurushima Toyohashi	3422
Shinkurushima Toyohashi	3421		
7	UEC45LA	Shinkurushima Hiroshima	2975
		Shinkurushima Hiroshima	2985
		Shinkurushima Hiroshima	5005
		Shinkurushima Hiroshima	5006
		Shinkurushima Hiroshima	5007
		Shinkurushima Hiroshima	5010
		Shinkurushima Hiroshima	5008
		Shinkurushima Hiroshima	5033
		Shinkurushima Onishi	5027
		Shinkurushima Hiroshima	5216
		Shin Kochi	7021
		Shin Kochi	7026
		Shinkurushima Hiroshima	2763
		Shinkurushima Toyohashi	3316
		Shinkurushima Toyohashi	3325
8		Shin Kochi	7032
		Shinkurushima Toyohashi	3317
		Shin Kochi	7038

Engine type		Shipyard	Hull No.
5		Shinkurushima Toyohashi	3230
		Kanda	413
		Kanda	406
		Kanda	411
		Kanda	407
		Kanda	418
		Kanda	408
		Kanda	419
		Kanda	420
		Kanda	421
		6	UEC52LA
Shinkurushima Onishi	2605		
Shinkurushima Onishi	2618		
Shinkurushima Onishi	2620		
Shinkurushima Toyohashi	3215		
Shinkurushima Toyohashi	3220		
Shinkurushima Onishi	2673		
Shinkurushima Onishi	2680		
Shinkurushima Toyohashi	3265		
Shinkurushima Toyohashi	3270		
Shinkurushima Onishi	2766		
Shinkurushima Onishi	2847		
Shinkurushima Toyohashi	3466		
Shinkurushima Toyohashi	3470		
Shinkurushima Toyohashi	3467		
Saiki	1087		
Saiki	1088		
Hakodate	778		
Hakodate	779		
Shinkurushima Hiroshima	5070		
Hakodate	780		
Shinkurushima Hiroshima	5071		
Shinkurushima Toyohashi	3527		
Shinkurushima Toyohashi	3528		
Hakodate	781		
Minaminippon	664		
Saiki	1110		
Shinkurushima Hiroshima	5175		
Minaminippon	667		
Shinkurushima Hiroshima	5176		
Kanda	431		
Shinkurushima Onishi	5132		
Kanda	432		
Hakodate	790		
Kanda	433		
Shinkurushima Onishi	5198		
Kanda	439		
Shinkurushima Hiroshima	5177		
Kanda	440		
Kanda	441		
Kanda	434		
Kanda	435		
Shinkurushima Hiroshima	5257		